



SecurOS™ Motus LT556 XR

Specialized Turnkey Solution for LPR/ANPR

SecurOS™ Motus LT556 XR is an IP-based automatic license plate recognition camera designed for SecurOS Auto — Low-speed. The camera provides unbeatable ANPR precision for commercial facilities and law enforcement applications.

Integrated White-Light illuminators and a high resolution image of the SecurOS™ Motus LT556 XR help provide the most accurate and reliable recognition results in both day and night modes under variable weather conditions. SecurOS™ Motus LT556 XR incorporates a motorized zoom lens in a thoughtfully designed waterproof unibody enclosure with an IP67 rating.



Key Features

- Equipment ships as a ready-to-use all-in-one unit with limited wiring required
- Specially designed for severe weather conditions in accordance with harsh environment requirements
- Supports vehicle speeds of up to 25 mph (40 km/h)
- Easy remote calibration and camera configuration adjustments
- Built-in remotely configurable White-light illuminator
- Superior image quality and ANPR precision
- Recognize plates from two lanes of traffic
- High environmental protection class — IP67
- 4MP camera resolution
- FCC and CE certified
- 1 year warranty

Applications



Law Enforcement



Campus Security



Border Security



Parking Facilities



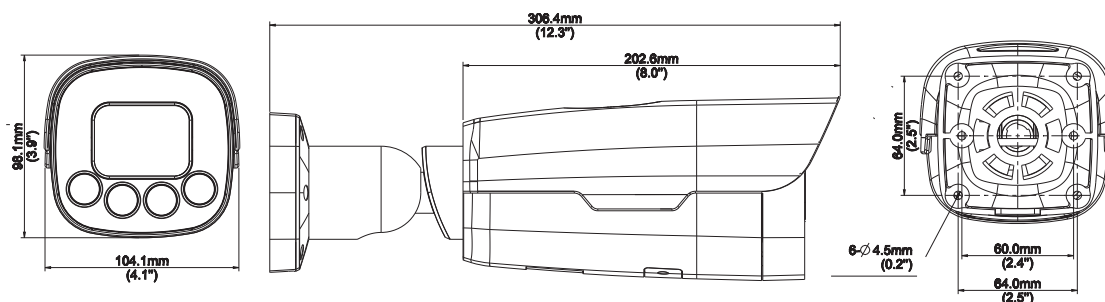
1480 U.S. Highway 9 North Suite 202
Woodbridge, NJ 07095
1.732.855.1111 | www.issivs.com

INTELLIGENT VIDEO. DEFINED.

Specifications

Image	
Max Resolution	4MP (2560x1440)
Sensor Type	CMOS, 1/1.8", Color
Exposure Control / Shutter Type	Auto/Manual, 1 sec to 1/100000 sec
Output Video Format	H.264, H.265 and MJPEG
Max Frame Rate	Up to 30 FPS
LPR Parameters	
Supported Vehicle Speed	Up to 25 mph (40 km/h)
Operating Length	9.84ft to 59.06ft (3m to 18m)
Operating Width	Up to 32.81ft (10m) / Up to 2 Lanes
Vertical / Horizontal Angle	30° / 25°
Lens	
Lens Type	Varifocal, 8mm to 32mm
Zoom / Focus	Adjustable, Motorized
Iris	DC-Iris
Illumination	
Illumination Type	White Light
Illumination Distance	65.62ft (20m)
Intensity Level	Seamlessly Adjustable
Electrical and Mechanical	
Max Power Consumption	21W
Input Voltage	12 VDC (-10%, +25%), 24VAC 325%, or PoE+ (IEEE802.3)
Electromagnetic Immunity & Emissions	FCC/CE
Operating Temperature	-22°F to +122°F (-30°C to +50°C)
IP Rating	IP67
Weight	3.60 lbs (1.65 kg)
Dimensions (LxWxH)	12.10" x 4.10" x 3.87" (306.60mm x 104.10mm x 98.4mm)
Ordering Information	
SecurOS™ Motus Lite Part Numbers	<p>SMT-LT556-XRWL: SecurOS™ Motus LT556 XR 4MP IP Camera with <i>White Light Illuminator</i>. ISS Specialized License Plate Recognition Camera with 2560x1440 maximum resolution. Supports vehicle speeds up to 40 km/h (25 mph). Includes housing, motorized lens, built-in WL illuminator, 12 VDC / 24 VAC power supply, and SecurOS™ Auto - Low Speed software license. SecurOS camera stream licenses must be purchased separately.</p> <p>SMT-LT03-JB: SecurOS™ Motus LT357/LT556-XR Junction Box</p> <p>SMT-LT03-BR: SecurOS™ Motus LT357/LT556-XR Pole Mount Adapter (Bracket)</p>

Technical Illustrations



The information contained in this document, is subject to change or can be updated without prior notice.



1480 U.S. Highway 9 North Suite 202
Woodbridge, NJ 07095
1.732.855.1111 | www.issivs.com

INTELLIGENT VIDEO. DEFINED.